

MLB Series

246mm LED Minibars – ECE R65 Approved



Part#	Description	EAN Code
MLB246R65ACM	246mm Minibar, R65, Single-Bolt Mount, Clear Lens	9335962036967
MLB246R65ACM-MM	246mm Minibar, R65, Magnetic Mount, Clear Lens	9335962036974
MLB246R65AAM	246mm Minibar, R65, Single-Bolt Mount, Amber Lens	9335962037001
MLB246R65AAM-MM	246mm Minibar, R65, Magnetic Mount, Amber LENS	9335962037018
MLB246R65ATM	246mm Minibar, R65, Single-Bolt Mount, Tinted Lens	9335962037049
MLB246R65ATM-MM	246mm Minibar, R65, Magnetic Mount, Tinted Lens	9335962037056

Voltage	10-30V
Dimensions	Single-bolt mount: 246 x 171 x 64mm, Mag. mount: 246 x 171 x 49mm
IP rating	IP67
Warranty	3 Years
Cable	Single-bolt mount: 450mm sheathed (stripped-end) Mag mount: 3m curled cable w/ cigar plug
Operating temperature	-30°C to +50°C
Current draw (13.8V / 28V)	TBC / TBC



MLB246R65ACM



MLB246R65AAM



MLB246R65ATM



MLB246R65ACM-MM



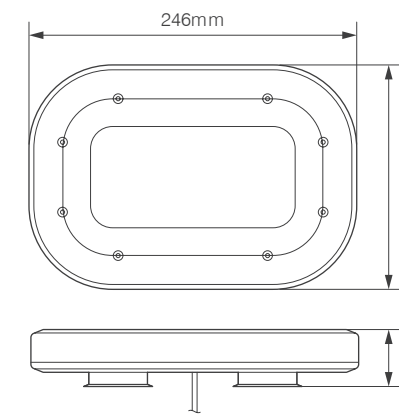
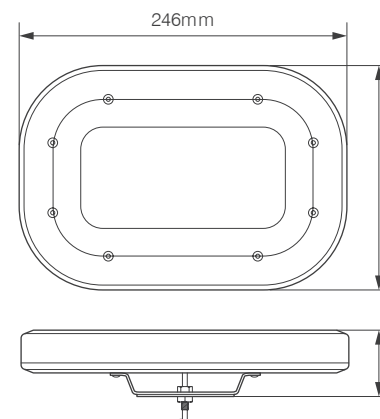
MLB246R65AAM-MM



MLB246R65ATM-MM

ECE approval	Function	Approval#
	ECE R10 (EMC)	10R-E6-06.1356
	ECE R65	TA1-E6-00.0433

Wiring colour codes	RED: Power [+]	BLACK: Earth [-]	WHITE: Pattern Select
Flash pattern selection	To select flash pattern apply WHITE to RED wire for; <ul style="list-style-type: none"> • less than one second for next flash pattern • more than one second for previous flash pattern To synchronise multiple lamps, first, select the same flash patterns then join the white wires together		
Flash pattern list	1. Rotating (slow) 75FPM 2. Rotating (fast) 146FPM 3. Single (split) 75FPM 4. Double (split) 75FPM 5. Triple (split) 122FPM 6. Quad (split) 75FPM 7. Single (all) 75FPM 8. Double (all) 75FPM 9. Quad (all) 75FPM	10. Quint (all) 75FPM 11. Steady half 75FPM 12. Single 2Hz (ECE R65) 123FPM 13. Double 2Hz (ECE R65) 123FPM 14. Triple 2Hz (ECE R65) 123FPM 15. Quad 2Hz (ECE R65) 123FPM 16. Hyper-flash 9split) 81-500FPM 17. Mega-flash (split) 61FPM 18. Steady (all)	



Mounting instructions	⚠ Installation to be undertaken by a competent professional Ensure mounting surface is flat, clean and dry prior to installation. Single-bolt mount: Fix using bolt supplied. Magnetic Mount: Affix to clean, flat surface parallel to the ground.
------------------------------	--

⚠ Magnetic Mount (temporary use only) WARNING: Magnetic warning lamps are not designed for use on moving vehicles – doing so is the sole responsibility of the user This magnetic lightbar has been tested at speeds not exceeding 100km/h.

MLB Series

380mm LED Minibars – ECE R65 Approved



Part#	Description	EAN Code
MLB380R65ACM	380mm Minibar, R65, Single-Bolt Mount, Clear Lens	9335962037025
MLB380R65ACM-MM	380mm Minibar, R65, Magnetic Mount, Clear Lens	9335962037032
MLB380R65AAM	380mm Minibar, R65, Single-Bolt Mount, Amber Lens	9335962037001
MLB380R65AAM-MM	380mm Minibar, R65, Magnetic Mount, Amber LENS	9335962037018
MLB380R65ATM	380mm Minibar, R65, Single-Bolt Mount, Tinted Lens	9335962037049
MLB380R65ATM-MM	380mm Minibar, R65, Magnetic Mount, Tinted Lens	9335962037056

Voltage	10-30V
Dimensions	Single-bolt mount: 380 x 171 x 64mm, Mag. mount: 380 x 171 x 49mm
IP rating	IP67
Warranty	3 Years
Cable	Single-bolt mount: 450mm sheathed (stripped-end) Magnetic mount: 3m curled cable w/ cigar plug
Operating temperature	-30°C to +50°C
Current draw (13.8V / 28V)	TBC / TBC



MLB380R65ACM



MLB380R65AAM



MLB380R65ATM



MLB380R65ACM-MM



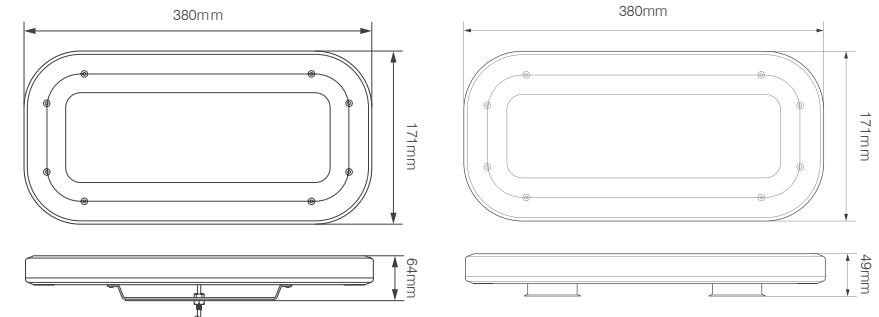
MLB380R65AAM-MM



MLB380R65ATM-MM

ECE approval	Function	Approval#
	ECE R10 (EMC)	10R-E6-06.1356
	ECE R65	TA1-E6-00.0434

Wiring colour codes	RED: Power [+]	BLACK: Earth [-]	WHITE: Pattern Select
Flash pattern selection	To select flash pattern apply WHITE to RED wire for; <ul style="list-style-type: none"> • less than one second for next flash pattern • more than one second for previous flash pattern To synchronise multiple lamps, first, select the same flash patterns then join the white wires together		
Flash pattern list	1. Rotating (slow) 75FPM 2. Rotating (fast) 146FPM 3. Single (split) 75FPM 4. Double (split) 75FPM 5. Triple (split) 122FPM 6. Quad (split) 75FPM 7. Single (all) 75FPM 8. Double (all) 75FPM 9. Quad (all) 75FPM	10. Quint (all) 75FPM 11. Steady half 75FPM 12. Single 2Hz (ECE R65) 123FPM 13. Double 2Hz (ECE R65) 123FPM 14. Triple 2Hz (ECE R65) 123FPM 15. Quad 2Hz (ECE R65) 123FPM 16. Hyper-flash 9split) 81-500FPM 17. Mega-flash (split) 61FPM 18. Steady (all)	



Mounting instructions	<p>⚠ Installation to be undertaken by a competent professional Ensure mounting surface is flat, clean and dry prior to installation.</p> <p>Single-bolt mount: Fix using bolt supplied.</p> <p>Magnetic Mount: Affix to clean, flat surface parallel to the ground.</p>
------------------------------	--

<p>⚠ Magnetic Mount (temporary use only) WARNING: Magnetic warning lamps are not designed for use on moving vehicles – doing so is the sole responsibility of the user This magnetic lightbar has been tested at speeds not exceeding 100km/h.</p>
--